

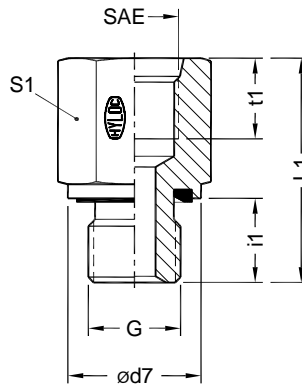
Male female Adaptors

MFA - G - S

Dimensions in mm

DIN Fittings

Male thread : BSPP (G) - ISO 228
 DIN 3852-Part 11, with Elastomeric seal
 Female thread : UN/UNF (SAE)



Part No.	Male thread 'G'	Female SAE Class 2B	ød7	i 1	t 1	L1	S1
MFAG01S02	G 1/8 A	5/16" - 24	14	8	10.0	24	14
MFAG01S03	G 1/8 A	3/8" - 24	14	8	10.0	24	17
MFAG02S04	G 1/4 A	7/16" - 20	19	12	11.5	30	19
MFAG02S05	G 1/4 A	1/2" - 20	19	12	11.5	32	19
MFAG02S06	G 1/4 A	9/16" - 18	19	12	13.0	34	22
MFAG03S08	G 3/8 A	3/4" - 16	22	12	14.0	36	27
MFAG04S10	G 1/2 A	7/8" - 14	27	14	16.5	42	30
MFAG06S12	G 3/4 A	1.1/16" - 12	32	16	19.0	45	36
MFAG08S14	G 1 A	1.3/16" - 12	40	18	19.0	50	41
MFAG08S16	G 1 A	1.5/16" - 12	40	18	19.0	50	41
MFAG10S20	G1.1/4 A	1.5/8" - 12	50	20	19.0	53	55
MFAG12S24	G1.1/2 A	1.7/8" - 12	55	22	19.0	55	60
MFAG16S32	*G 2 A	2.1/2" - 12	75	24	19.0	62	75

* Thread size - G2 is not included in DIN 3852 Part 11