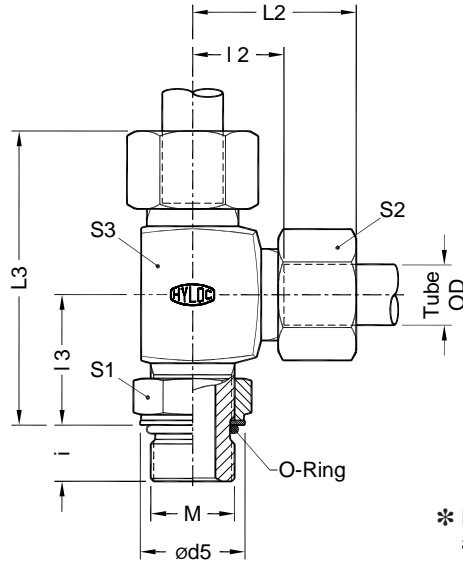


Dimensions in mm

DIN Fittings

Metric Tube end as per ISO 8434



* Dimensions given are approx figures with tightened nut.

Part No.	Series	Tube od	Metric thread M	ød5	i	I 2	* L2	I 3	* L3	S1	S2	S3
LEE06PLMO	Light L 315 bar	6	M10x1.0	15	7.0	14.0	29.5	20.0	49.5	14	14	14
LEE08PLMO		8	M12x1.5	18	10.0	16.0	31.0	22.0	53.0	17	17	14
LEE10PLMO		10	M14x1.5	20	10.0	17.0	32.5	25.0	57.5	19	19	19
LEE12PLMO		12	M16x1.5	23	10.0	19.0	34.0	26.0	60.0	22	22	19
LEE15PLMO		15	M18x1.5	25	11.0	21.0	37.0	30.0	67.0	24	27	22
LEE18PLMO		18	M22x1.5	28	12.0	24.0	41.0	33.0	74.0	27	32	27
LEE22PLMO	160 bar	22	M27x2.0	33	14.0	28.0	45.0	35.0	80.0	32	36	30
LEE28PLMO		28	M33x2.0	41	14.0	31.0	49.0	38.0	87.0	41	41	36
LEE35PLMO		35	M42x2.0	51	14.0	38.0	61.0	48.0	109.0	50	50	50
LEE42PLMO		42	M48x2.0	56	16.0	38.0	61.5	49.0	110.5	55	60	50
LEE06PSMO	Heavy 400 bar	6	M12x1.5	18	10.0	15.0	30.5	22.0	52.5	17	17	14
LEE08PSMO		8	M14x1.5	20	10.0	17.0	32.0	26.0	58.0	19	19	19
LEE10PSMO		10	M16x1.5	23	11.0	18.0	35.0	27.0	62.0	22	22	19
LEE12PSMO		12	M18x1.5	25	12.0	22.0	38.5	31.0	69.5	24	24	22
LEE16PSMO		16	M22x1.5	28	14.0	25.0	44.0	35.0	79.0	27	30	27
LEE20PSMO		400 bar	20	M27x2.0	33	16.0	28.0	50.5	39.0	89.5	32	36
LEE25PSMO	315 bar	25	M33x2.0	41	16.0	30.0	55.0	44.0	99.0	41	46	36
LEE30PSMO	250 bar	30	M42x2.0	51	17.0	36.0	64.0	51.0	115.0	50	50	50
LEE38PSMO	200 bar	38	M48x2.0	56	19.0	34.0	65.5	54.0	119.5	55	60	50