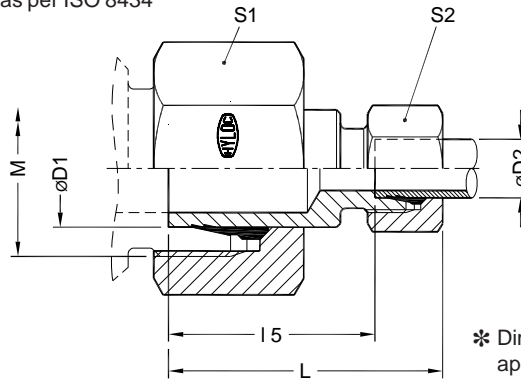


Dimensions in mm

DIN Fittings

Metric Tube end as per ISO 8434



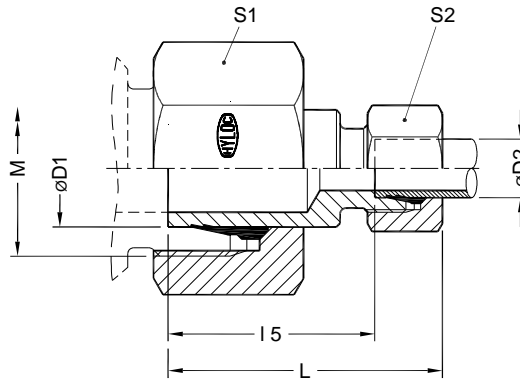
Low Pressure Series

Part No.	Series	ØD1	ØD2	M	I5	L*	S1	S2
KOR0806PL	250 bar	8	6	M14 x 1.5	23.5	39.0	17	14
KOR1006PL	250 bar	10	6	M16 x 1.5	23.5	39.0	19	14
KOR1008PL		10	8	M16 x 1.5	23.5	38.5	19	17
KOR1206PL	250 bar	12	6	M18 x 1.5	23.5	39.0	22	14
KOR1208PL		12	8	M18 x 1.5	23.5	38.5	22	17
KOR1210PL		12	10	M18 x 1.5	24.5	40.0	22	19
KOR1506PL	250 bar	15	6	M22 x 1.5	23.5	39.0	27	14
KOR1508PL		15	8	M22 x 1.5	23.5	38.5	27	17
KOR1510PL		15	10	M22 x 1.5	24.5	40.0	27	19
KOR1512PL		15	12	M22 x 1.5	24.5	39.5	27	22
KOR1806PL	160 bar	18	6	M26 x 1.5	24.5	40.0	32	14
KOR1808PL		18	8	M26 x 1.5	24.5	39.5	32	17
KOR1810PL		18	10	M26 x 1.5	25.5	41.0	32	19
KOR1812PL		18	12	M26 x 1.5	25.5	40.5	32	22
KOR1815PL		18	15	M26 x 1.5	26.5	42.5	32	27
KOR2206PL	160 bar	22	6	M30 x 2.0	25.5	41.0	36	14
KOR2208PL		22	8	M30 x 2.0	25.5	40.5	36	17
KOR2210PL		22	10	M30 x 2.0	26.5	42.0	36	19
KOR2212PL		22	12	M30 x 2.0	26.5	41.5	36	22
KOR2215PL		22	15	M30 x 2.0	27.5	43.5	36	27
KOR2218PL		22	18	M30 x 2.0	27.0	44.0	36	32
KOR2806PL	100 bar	28	6	M36 x 2.0	26.5	42.0	41	14
KOR2808PL		28	8	M36 x 2.0	26.5	41.5	41	17
KOR2810PL		28	10	M36 x 2.0	27.5	43.0	41	19
KOR2812PL		28	12	M36 x 2.0	27.5	42.5	41	22
KOR2815PL		28	15	M36 x 2.0	28.5	44.5	41	27
KOR2818PL		28	18	M36 x 2.0	28.0	45.0	41	32
KOR2822PL		28	22	M36 x 2.0	30.0	47.0	41	36

Dimensions in mm

DIN Fittings

Metric Tube end as per ISO 8434

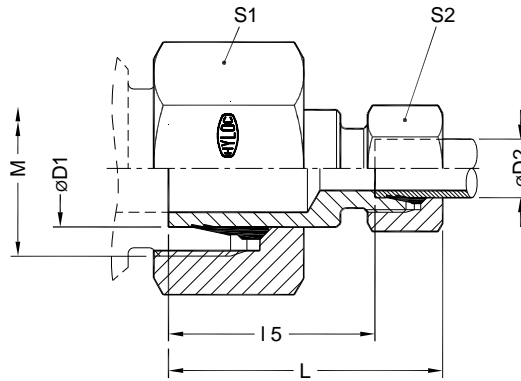


Low Pressure Series

Part No.	Series	øD1	øD2	M	I5	*L	S1	S2
KOR3506PL	100 bar	35	6	M45 x 2.0	31.5	47.0	50	14
KOR3508PL		35	8	M45 x 2.0	31.5	46.5	50	17
KOR3510PL		35	10	M45 x 2.0	32.5	48.0	50	19
KOR3512PL		35	12	M45 x 2.0	32.5	47.5	50	22
KOR3515PL		35	15	M45 x 2.0	33.5	49.5	50	27
KOR3518PL		35	18	M45 x 2.0	33.0	50.0	50	32
KOR3522PL		35	22	M45 x 2.0	35.0	52.0	50	36
KOR3528PL		35	28	M45 x 2.0	35.0	53.0	50	41
KOR4210PL	100 bar	42	10	M52 x 2.0	33.5	49.0	60	19
KOR4212PL		42	12	M52 x 2.0	33.5	48.5	60	22
KOR4215PL		42	15	M52 x 2.0	34.5	50.5	60	27
KOR4218PL		42	18	M52 x 2.0	34.0	51.0	60	32
KOR4222PL		42	22	M52 x 2.0	36.0	53.0	60	36
KOR4228PL		42	28	M52 x 2.0	36.0	54.0	60	41
KOR4235PL		42	35	M52 x 2.0	35.0	58.0	60	50

* Dimensions given are approx figures with tightened nut.

Metric Tube end as per ISO 8434



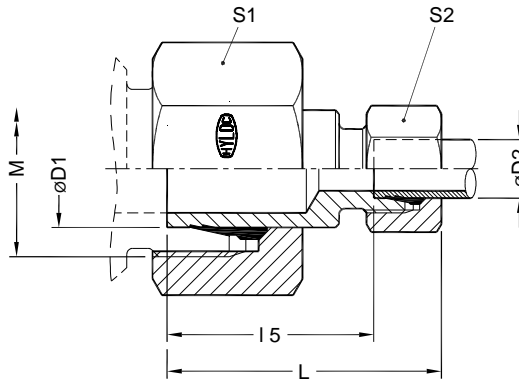
High Pressure Series

*

Part No.	Series	øD1	øD2	M	I5	L	S1	S2
KOR0806PS	250 bar	8	6	M16 x 1.5	25.0	40.5	19	17
KOR1006PS	250 bar	10	6	M18 x 1.5	26.0	41.5	22	17
KOR1008PS		10	8	M18 x 1.5	26.0	41.0	22	19
KOR1206PS	250 bar	12	6	M20 x 1.5	27.0	42.5	24	17
KOR1208PS		12	8	M20 x 1.5	27.0	42.0	24	19
KOR1210PS		12	10	M20 x 1.5	26.5	43.5	24	22
KOR1606PS	160 bar	16	6	M24 x 1.5	29.0	44.5	30	17
KOR1608PS		16	8	M24 x 1.5	29.0	44.0	30	19
KOR1610PS		16	10	M24 x 1.5	28.5	45.5	30	22
KOR1612PS		16	12	M24 x 1.5	28.5	43.5	30	24
KOR2006PS	160 bar	20	6	M30 x 2.0	34.0	49.5	36	17
KOR2008PS		20	8	M30 x 2.0	34.0	49.0	36	19
KOR2010PS		20	10	M30 x 2.0	33.5	50.5	36	22
KOR2012PS		20	12	M30 x 2.0	33.5	50.0	36	24
KOR2016PS		20	16	M30 x 2.0	34.5	53.5	36	30
KOR2506 PS	100 bar	25	6	M36 x 2.0	37.0	52.5	46	17
KOR2508PS		25	8	M36 x 2.0	37.0	52.0	46	19
KOR2510PS		25	10	M36 x 2.0	36.5	53.5	46	22
KOR2512PS		25	12	M36 x 2.0	36.5	53.0	46	24
KOR2516PS		25	16	M36 x 2.0	36.5	55.5	46	30
KOR2520PS		25	20	M36 x 2.0	37.5	60.0	46	36

* Dimensions given are approx figures with tightened nut.

Metric Tube end as per ISO 8434



High Pressure Series

*

Part No.	Series	ØD1	ØD2	M	I 5	L	S1	S2
KOR3006PS	100 bar	30	6	M42 x 2.0	39.0	54.5	50	17
KOR3008PS		30	8	M42 x 2.0	39.0	54.0	50	19
KOR3010PS		30	10	M42 x 2.0	38.5	55.5	50	22
KOR3012PS		30	12	M42 x 2.0	38.5	55.0	50	24
KOR3016PS		30	16	M42 x 2.0	39.5	58.5	50	30
KOR3020PS		30	20	M42 x 2.0	39.5	62.0	50	36
KOR3025PS		30	25	M42 x 2.0	40.0	65.0	50	46
KOR3806PS	100 bar	38	6	M52 x 2.0	43.0	58.5	60	17
KOR3808PS		38	8	M52 x 2.0	43.0	58.0	60	19
KOR3810PS		38	10	M52 x 2.0	42.5	59.5	60	22
KOR3812PS		38	12	M52 x 2.0	42.5	59.0	60	24
KOR3816PS		38	16	M52 x 2.0	43.5	62.5	60	30
KOR3820PS		38	20	M52 x 2.0	43.5	66.0	60	36
KOR3825PS		38	25	M52 x 2.0	44.0	69.0	60	46
KOR3830PS		38	30	M52 x 2.0	44.5	72.5	60	50

* Dimensions given are approx figures with tightened nut.