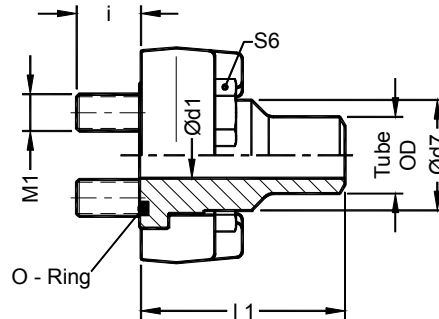
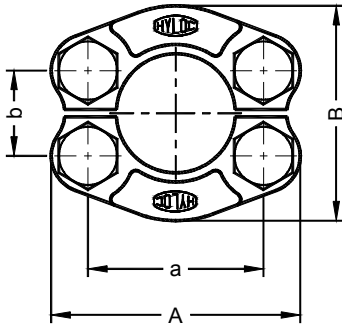


## Swivel Flange connections

AS \*\*

For welded tube construction  
Mounting Interface conforms to ISO 6162  
Seal Material - Nitrile 90 Shore

All dimensions in millimeters.



Flange Mounting Interface (ISO 6162)

### Standard Pressure Series (Code 61)

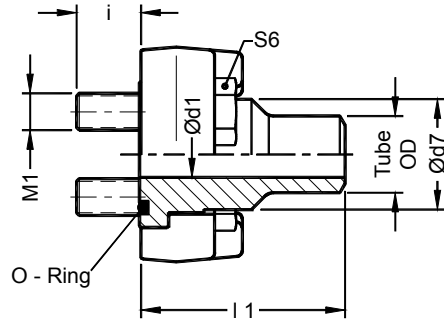
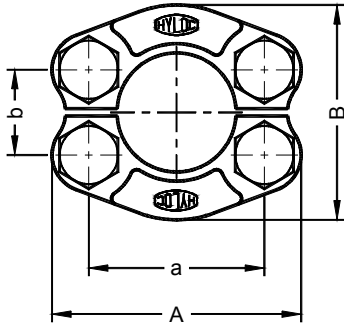
Part No.	Nom size	PB (bar)	Tube od x wall th.	A	a	B	b	i	Ød1	Ød7	l 1	Split Flange	O - Ring ID x CSD	Hex. bolts (10.9)
AS3215PL	1/2	323	15 x 2.0	54	38.1	46	17.5	12	11	23.9	38	SFS04	19.0 x 3.55	M8 x 25
AS3216PH		350	16 x 3.0						10					
AS3318PL	3/4	210	18 x 1.5	65	47.6	52	22.3	16	15	31.8	50	SFS06	25.0 x 3.55	M10 x 30
AS3322PL		228	22 x 2.0						18					
AS3320PH		350	20 x 3.0						14					
AS3325PH		350	25 x 4.0						17					
AS3428PL	1	182	28 x 2.0	70	52.4	59	26.2	14	24	38.0	50	SFS08	32.5 x 3.55	M10 x 30
AS3430PH		350	30 x 4.5						21					
AS3535PL	1 1/4	147	35 x 2.0	79	58.7	73	30.2	16	31	43.0	55	SFS10	37.5 x 3.55	M10 x 30
AS3525PH		280	25 x 3.0						19					
AS3530PH		280	30 x 4.0						22					
AS3538PH		280	38 x 5.0						28					
AS3642PL	1 1/2	182	42 x 3.0	94	69.9	83	35.7	19	36	50.0	57	SFS12	47.5 x 3.55	M12 x 35
AS3638PH		210	38 x 4.0						30					
AS3850PH	2	210	50 x 6.0	102	77.8	97	42.9	19	38	62.0	62	SFS16	56.0 x 3.55	M12 x 35
AS3865PH		210	65 x 8.0						49	65.0	62			

## Swivel Flange connections

AS \*\*

For welded tube construction  
 Mounting Interface conforms to ISO 6162  
 Seal Material - Nitrile 90 Shore

All dimensions in millimeters.



Flange Mounting Interface (ISO 6162)

### High Pressure Series (Code 62)

Part No.	Nom size	PB (bar)	Tube od x wall th.	A	a	B	b	i	Ød1	Ød7	l1	Split Flange	O - Ring ID x CSD	Hex. bolts (10.9)
AS6216PH	1/2	415	16 x 3.0	56	40.5	48	18.2	14	10	23.9	41	SFH04	19.0 x 3.55	M8 x 30
AS6316PH	3/4	415	16 x 3.0	71	50.8	60	23.8	16	10	31.8	55	SFH06	25.0 x 3.55	M10 x 35
AS6320PH		415	20 x 4.0						12					
AS6325PH		415	25 x 5.0						15					
AS6425PH	1	415	25 x 5.0	81	57.2	70	27.8	21	15	38.0	67	SFH08	32.5 x 3.55	M12 x 45
AS6430PH		323	30 x 4.0						22					
AS6430PH		415	30 x 6.0						18					
AS6530PH	1 1/4	323	30 x 4.0	95	66.6	78	31.8	18	22	43.7	78	SFH10	37.5 x 3.55	M12 x 45
AS6530PH		415	30 x 6.0						18					
AS6538PH		319	38 x 5.0						28					
AS6538PH		415	38 x 8.0						22					
AS6638PH	1 1/2	319	38 x 5.0	113	79.3	95	36.5	25	28	50.8	85	SFH12	47.5 x 3.55	M16 x 55
AS6638PH		415	38 x 8.0						22					
AS6850PH	2	415	50 x 9.0	133	96.8	114	44.5	33	32	66.6	116	SFH16	56.0 x 3.55	M20 x 70
AS6865PH		300	65 x 8.0						49					