

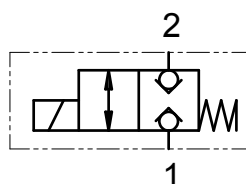
Solenoid Operated Directional Poppet Valve

Function and Features

This is a 2 way, 2 position, solenoid operated, direct acting, poppet directional valve. The valve provides a leak-free closure when de-energized, and allows flow in either direction when energized. Due to poppet style construction the valve has extremely low leakage in closed condition.

- Due to extremely low leakage the valve is suitable for load holding.
- On power failure, the valve will spring return to close condition.
- The solenoid tube is rated for 210 bar pressure.
- Coils are interchangeable with Spica Cetop 3 Directional Valve – 4DE06. Hence several voltage and manual override choices are available.

Symbol



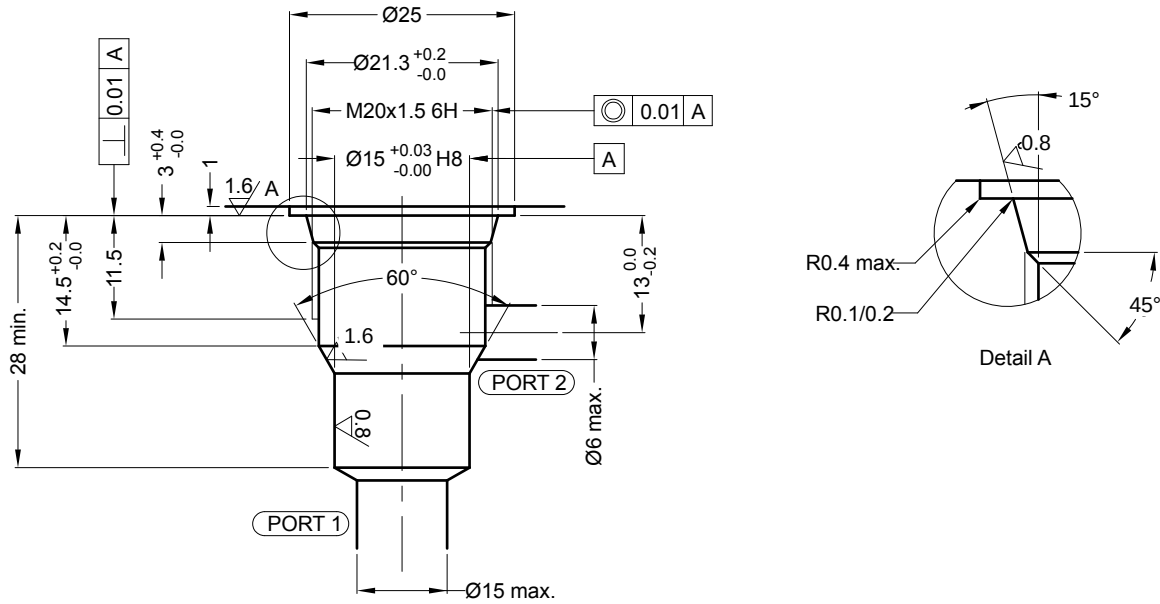
Technical Data

General		
Weight	0.65 kg	1.45 lb
Installation Orientation	Optional	
Hydraulic		
Hydraulic Fluid	Mineral Oil	
Cavity	M20, 2port	
Capacity	30 L/min	8 gpm
Operating pressure	Port 1 – 210 bar	Port 1 – 3000 psi
	Port 2 – 350 bar	Port 2 – 5000 psi
Seals	NBR	
Fluid Temperature	-30 °C to 80 °C	-22 °F to 176 °F
Fluid Cleanliness	19/17/14 as per ISO 4406 – 4µm/6µm/14µm	
Response time	100 ms	

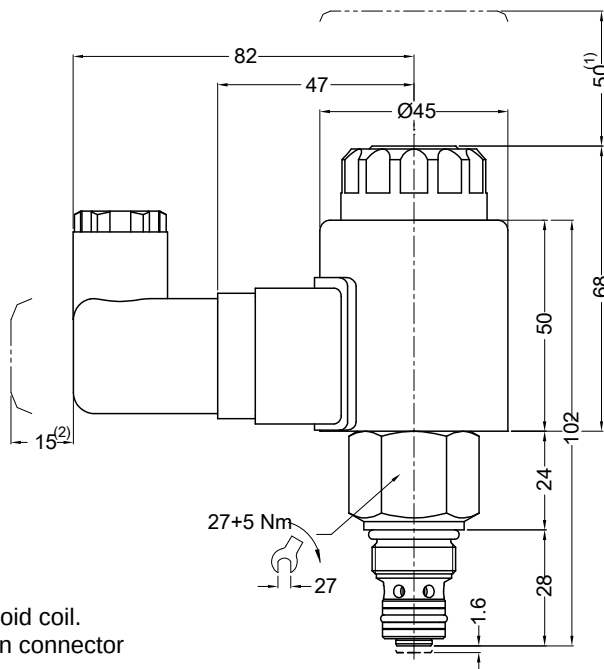
Maximum Valve Leakage	10 drops / min at 210 bar	
	0.7 cc/min	

Electrical	
Power	30 W
Duty Cycle	Continuous
Electrical Connection	Plug to DIN 43650
Insulation	IP 65

Cavity Details



Installation Drawing



⁽¹⁾ Space required to remove solenoid coil.
⁽²⁾ Space required to remove plug-in connector

Model Code

